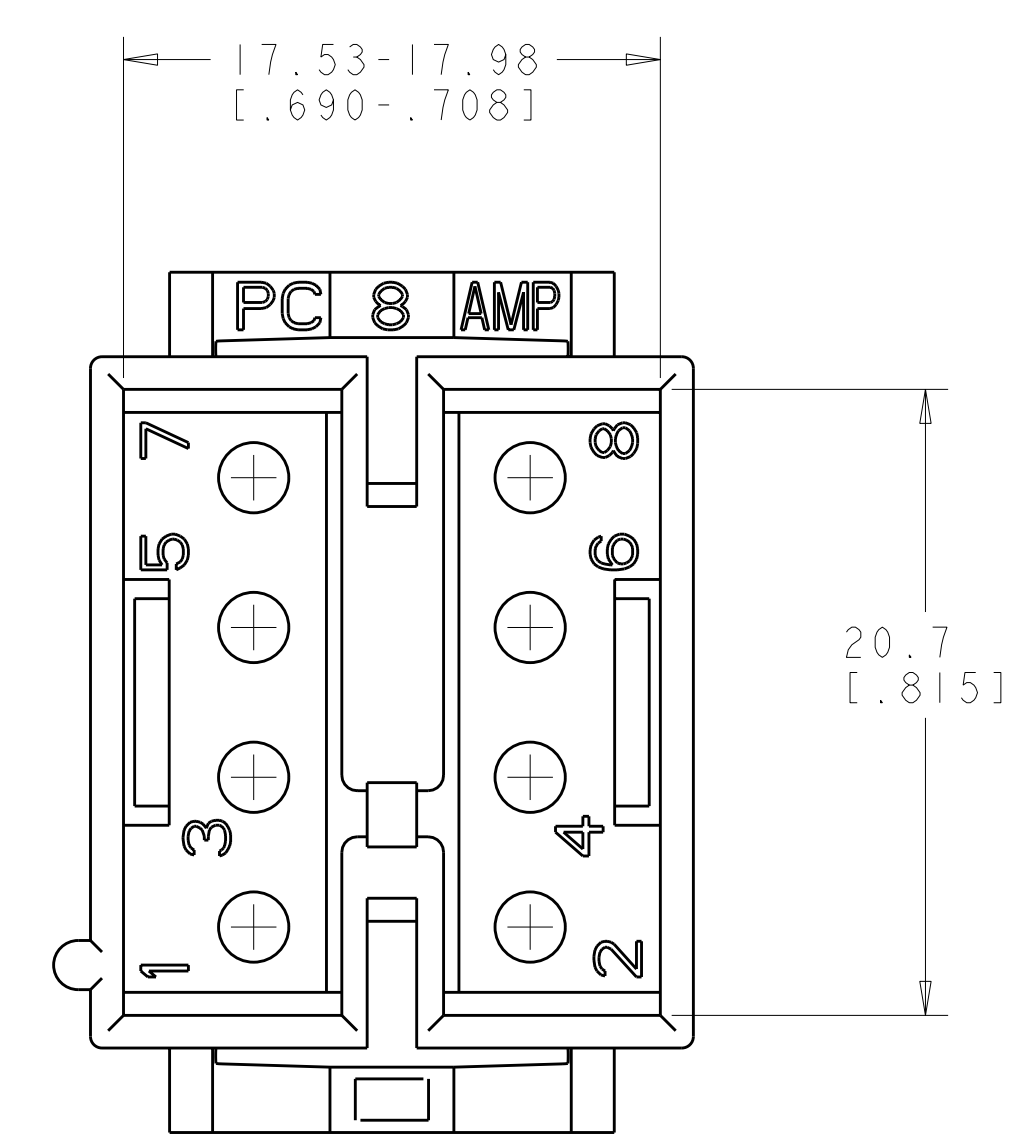
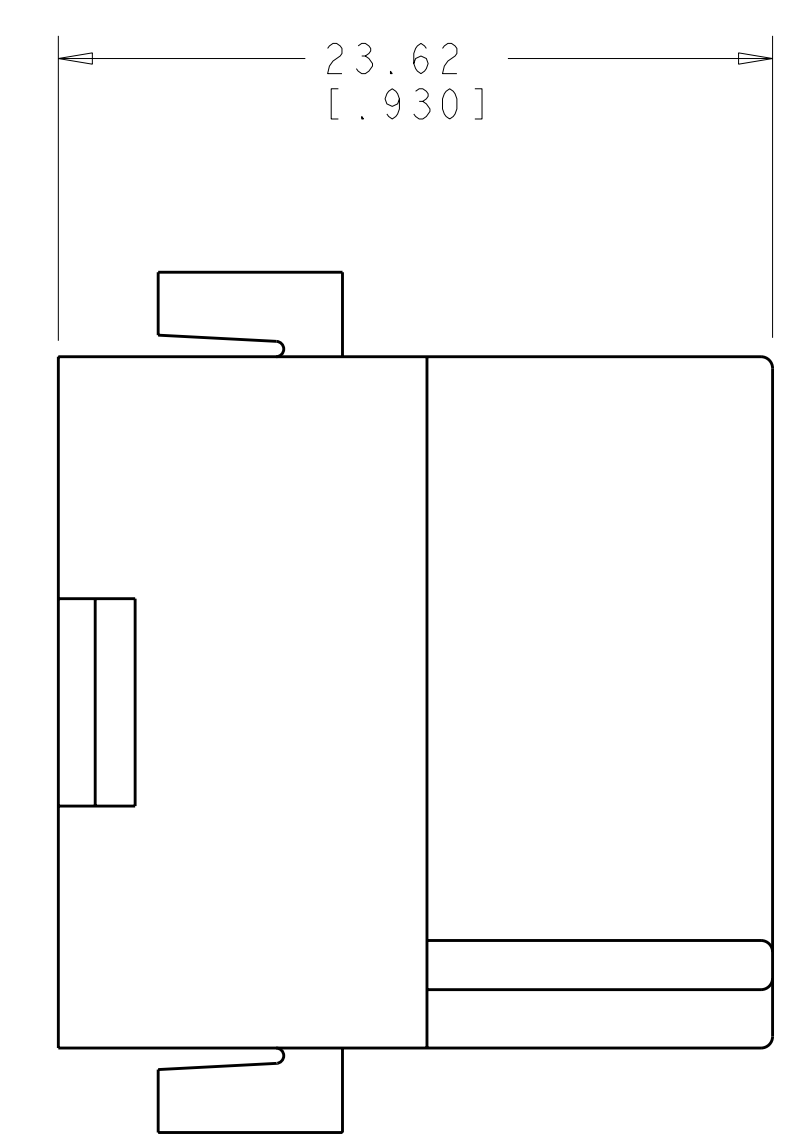
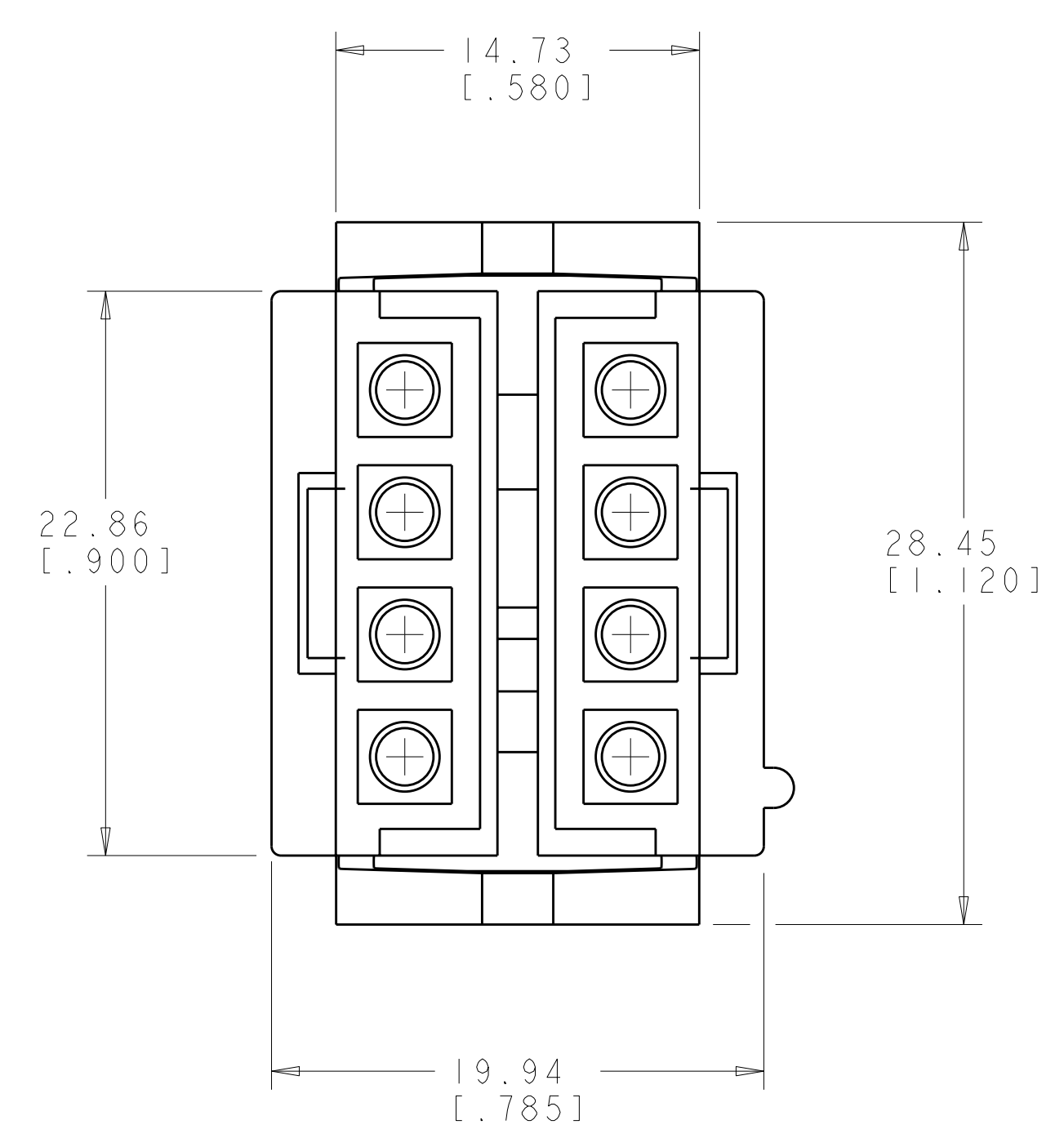
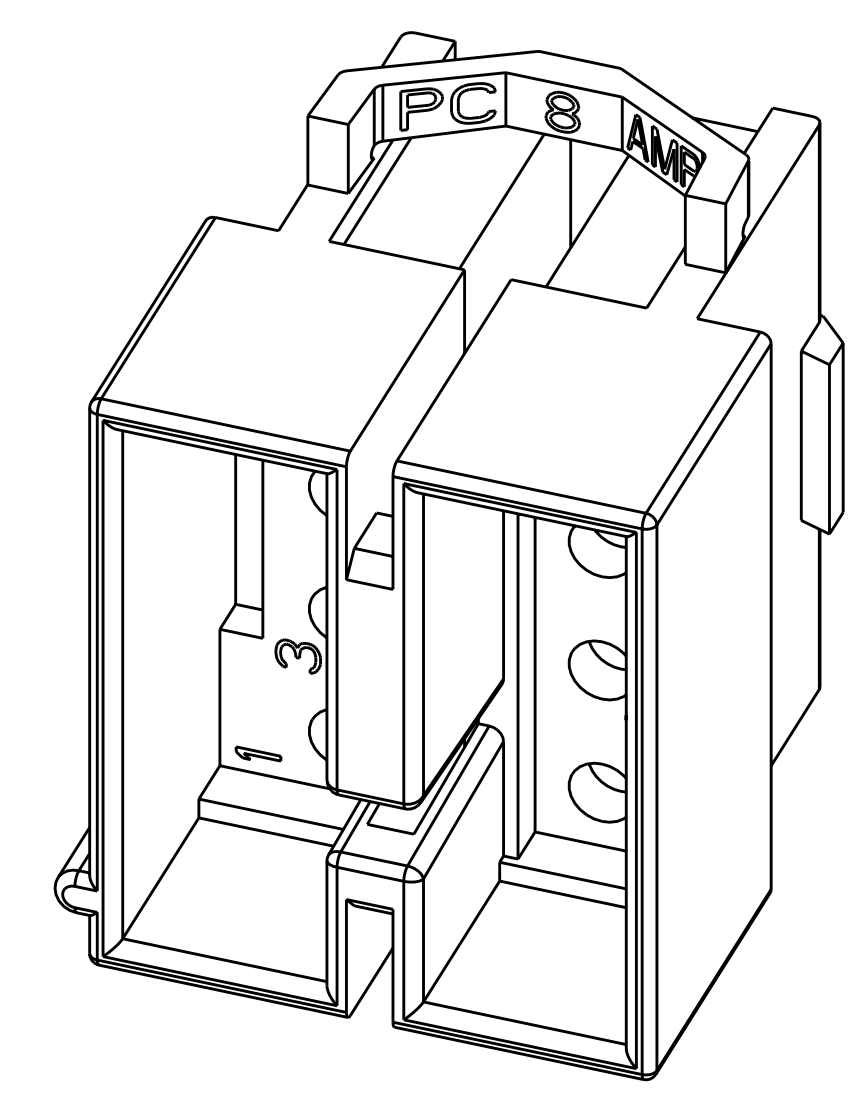
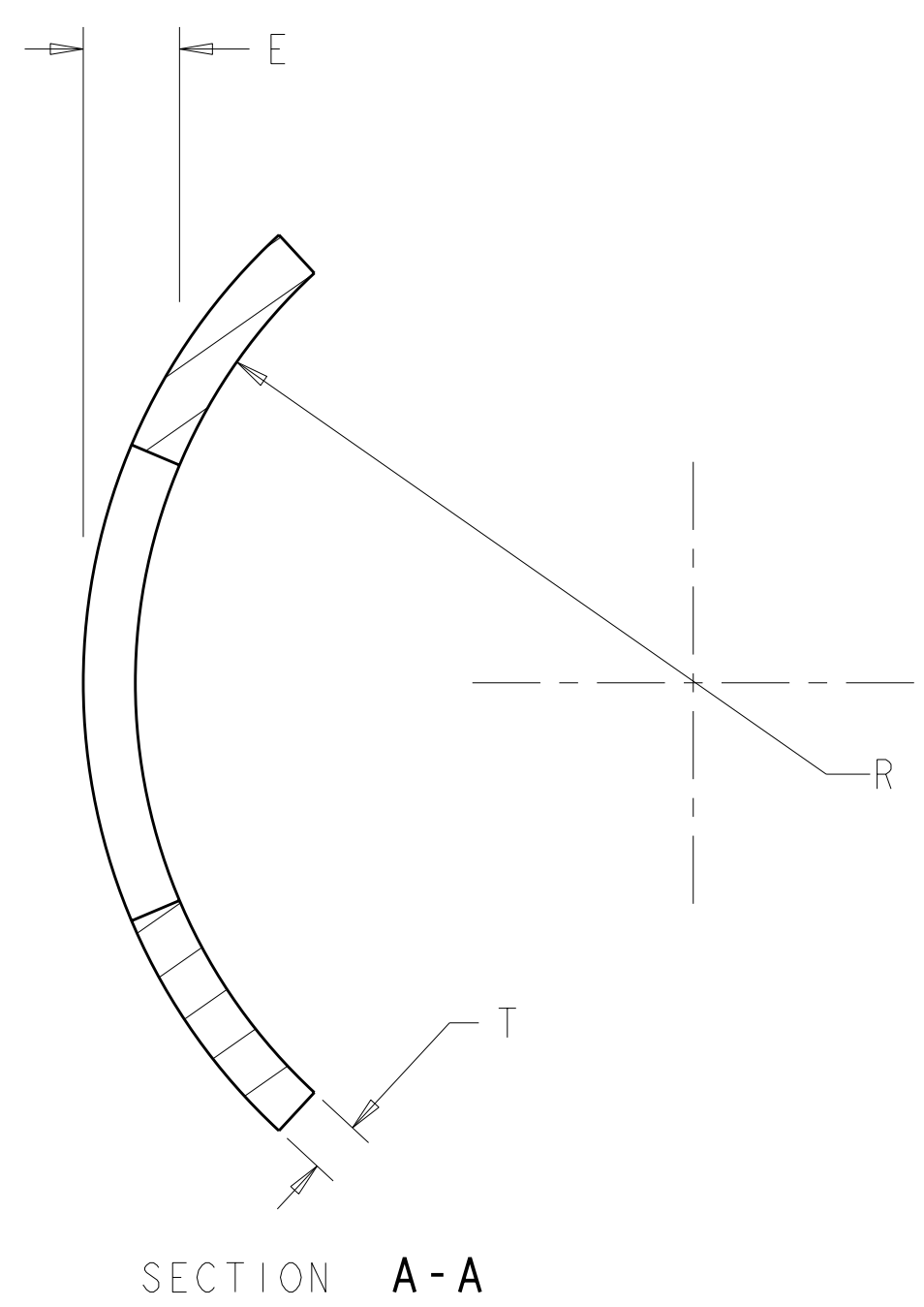
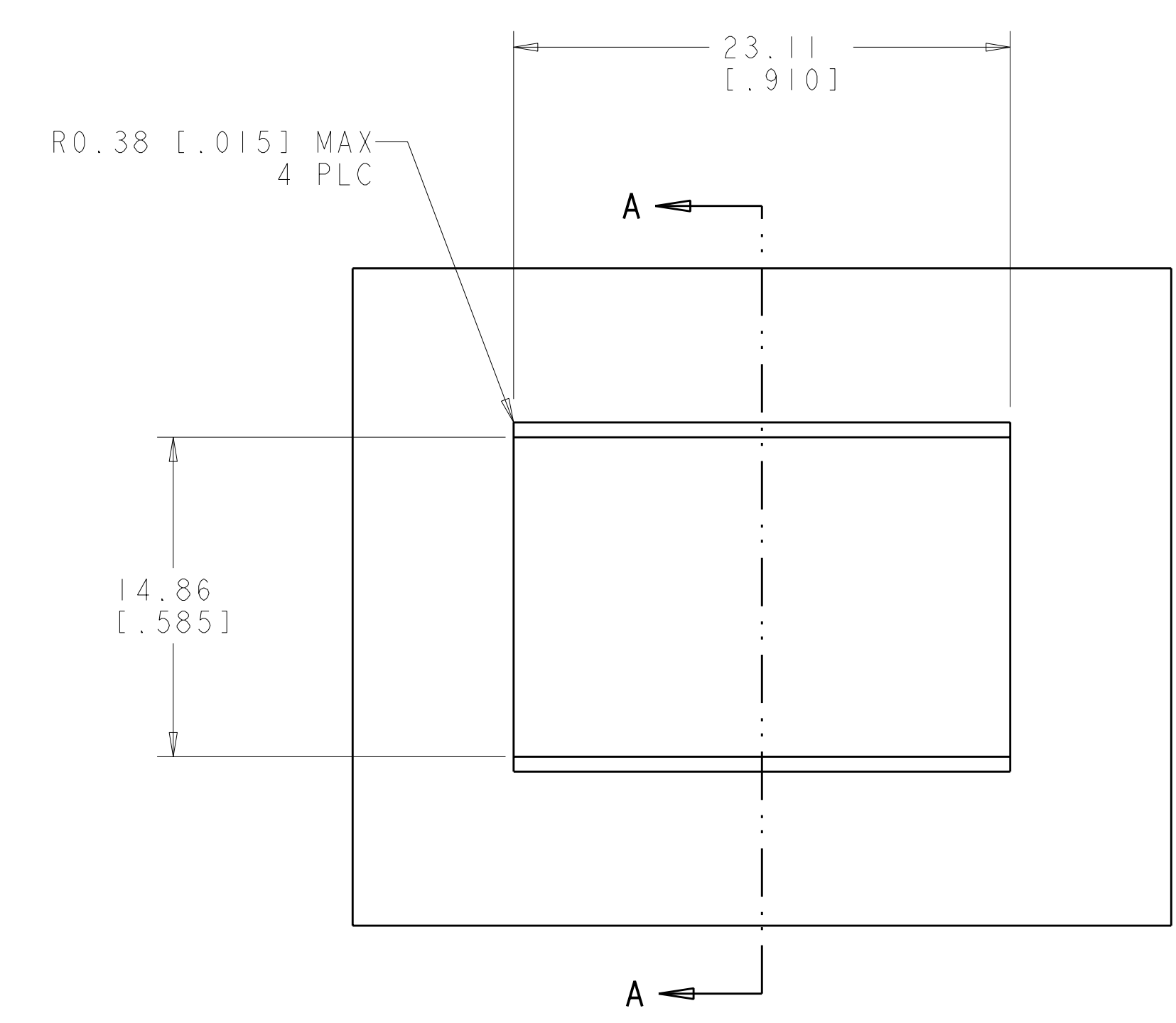
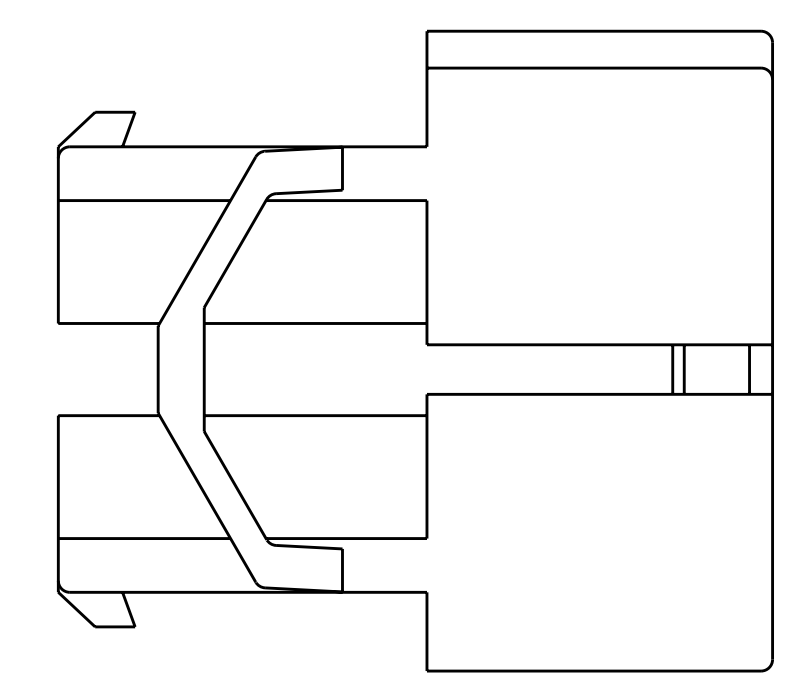


LOC		DIST		REVISIONS			
CM	00	P	LTB	DESCRIPTION	DATE	DWN	APVD
		G		ECO-07-030154	20DEC2007	KW	CC



1. TO BE USED WITH COMMERCIAL MATE-N-LOK™ PINS.
2. TO BE USED WITH PLUG 480283.
3. RECOMMENDED PANEL THICKNESS "E" IS 1.02-2.54 [1.040-.100] AND IS DEPENDENT ON "T" AND "R".
4. HOUSING MUST BE INSERTED IN A ROCKING MANNER.
5. THE PANEL MUST BE PUNCHED SO THAT THE HOUSING ENTERS THE PANEL IN THE SAME DIRECTION AS THE PUNCH.
6. MOTOR MOUNT HOUSINGS MAY BE USED IN FLAT PANELS.



RECOMMENDED CUT OUT

0.24 IN ³	1-480284-0
VOLUME	PART NUMBER

METRIC

<small>THIS DRAWING IS UNPUBLISHED. RELEASED FOR PUBLICATION BY TYCO ELECTRONICS CORPORATION. ALL RIGHTS RESERVED.</small>		DWN: R. WHITAKER CHK: C. CASH APVD: C. CASH	Z0DEC2007 Z0DEC2007 Z0DEC2007	Tyco Electronics Harrisburg, PA 17105-3608
DIMENSIONS: mm [INCHES]	TOLERANCES UNLESS OTHERWISE SPECIFIED: 9 PLC ± 1 PLC ± 5 PLC ±0.13 [1.005] 4 PLC ± ANGLES ± FINISH	NAME: PRODUCT SPEC: APPLICATION SPEC: WEIGHT:	NAME: PRODUCT SPEC: APPLICATION SPEC: WEIGHT:	Tyco Electronics CAP. 6 CIRCUIT, MOTOR MOUNT, COMMERCIAL MATE-N-LOK (TM)
MATERIAL: NYLON, UL 94V-2 NATURAL	FINISH:	SIZE: CAGE CODE: DRAWING NO: A100779C-480284	RESTRICTED TO:	CUSTOMER DRAWING
AMP 4805 REV 31MAR2000 Pro/ENGINEER DRAWING		SCALE: 4:1	SHEET 1 OF 1	REV G